

PARTS CATALOG

Expansion Bus-D1

Canon

Feb 3 2006

PREFACE

This Parts Catalog contains listings of parts used

Diagrams are provided with the listings to aid the service technician in identifying clearly, the item to be ordered.

Whenever ordering parts, consult this Parts Catalog for all of the information pertaining to each item. Be sure to include, in the Parts Request, the full item description, the item part number, and the quantity.

COPYRIGHT (C) 1999 CANON INC.

Use of this manual should be strictly supervised to avoid disclosure of confidential information.

Contents

NUMERICAL INDEX

Expansion Bus-D11-1

Expansion Bus-D1

G92 EXPANSION BUS-D12-1

NUMERICAL INDEX

Expansion Bus-D1

PARTS NUMBER	FIGURE & KEY NO.	PARTS NUMBER	FIGURE & KEY NO.	PARTS NUMBER	FIGURE & KEY NO
FM2-5430-000	G92 - 1				
NPN	G92 -				
XB1-2300-607	G92 - 501				

Expansion Bus-D1

Expansion Bus-D1

F62-2911-000

Contents

G92 EXPANSION BUS-D1.....	2-1
---------------------------	-----

FIGURE G92 EXPANSION BUS-D1

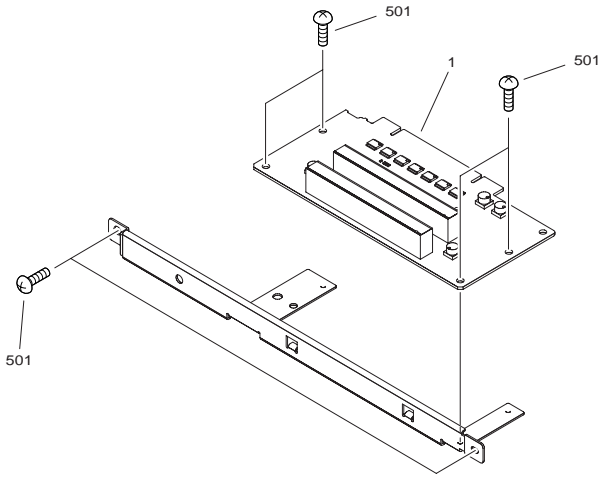


FIGURE & KEY NO.	PARTS NUMBER	RANK	QTY	DESCRIPTION	SERIAL NUMBER/REMARKS	SVC
Fig.G92	NPN		RF	EXPANSION BUS-D1		
1	FM2-5430-000		1	RISER BOARD PCB ASS'Y		
501	XB1-2300-607		6	SCREW, BH3X6(S)		

Prepared by
OIP HFE Promotion Center
CANON INC.

Canon